

SCOREMASTER

The Ultimate Aluminum Sports Goals



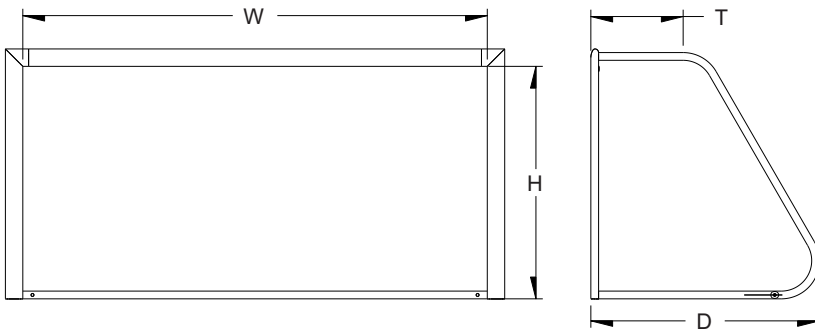
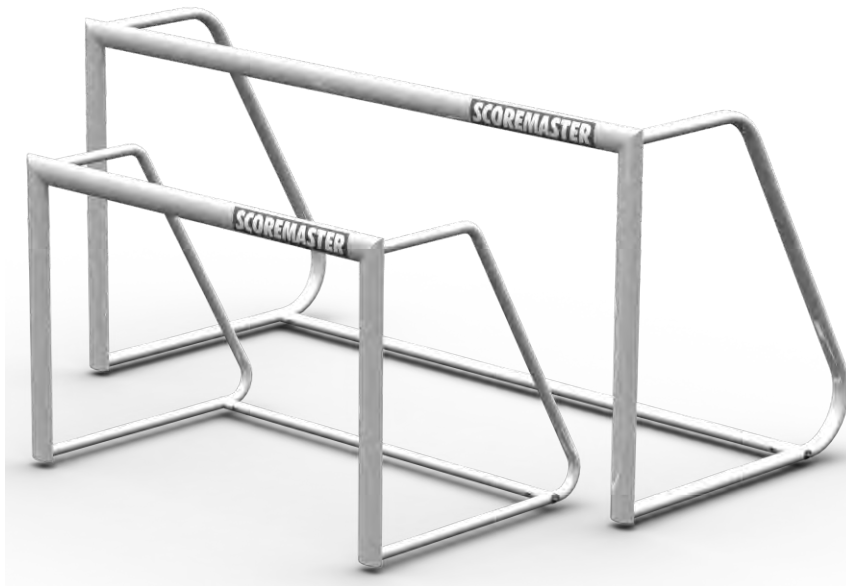
Soccer
Rugby
Football
Field Hockey
Lacrosse



SCOREMASTER

The Ultimate Aluminum Sports Goals

SM-DM-600 and SM-DM-1000 Mini Soccer Goals for U6 and U8



MODEL	NET OPTIONS	W	D	H	T	Weight
SM-DM600	SM-HD-NET-DM60-PKG	6'	4'	4'	2'	55 LBS.
SM-DM1000	SM-REG-NET-DM10-PKG or SM-HD-NET-DM10-PKG	10'	5'	5'	2'	72 LBS.

Our Micro Goals are not a cheap, temporary goal - they are the same basic construction and quality as our full size DM series goals. Scoremaster has had zero product failures with this model of goal since we started building them in 1997. You can be assured that these goals will provide years of trouble free service.

Specifications

- One piece, smooth profile, TIG welded Goal Ends – THE ONLY TIG WELDED GOALS IN THE WORLD.
- 2 Goals per set. Each Goal ships broken down into 4 easy to assemble major components.
- Weld joints are reinforced with a doubler plates for extra strength.
- Uprights and Upper Cross Bars are made from 4 ½" X 2" D profile X .100 to .156" variable wall, oval, high strength, aluminum tube.
- Deep Net Racks are made from 2" X 3" oval tube X .156" wall (SM-DM1000) and 1.9" OD X .145" wall (SM-DM600), high strength, aluminum pipe for strength and stability.
- Rear Cross Bars are made from 2" X 3" X .156" wall (SM-DM1000) and 1.9" OD X .145" wall (SM-DM600) high strength oval aluminum tube for strength and stability.
- Auger style Ground Anchors.
- Tether Cables for anchoring and storage.
- Tamper resistant Stainless Steel Hardware.
- This goal is exempt from the requirements of ASTM F2673. Goals exceed all international safety and games standards. All movable goals must be anchored.
- Bright Aluminum Finish is standard.
- 5 Year Warranty.

Options

- SM-DM600-PC – White Powder Coat Finish – our own in house high quality
- SM-GT1000 - Permanent Goal Tether – embeds in field for quick anchoring
- SM-SB1000 - Sand Bags – prevents goals from sliding
- SM-GC - Goal Cart System – 4 – 2 wheel carts slip under goal for easy moving

Nets

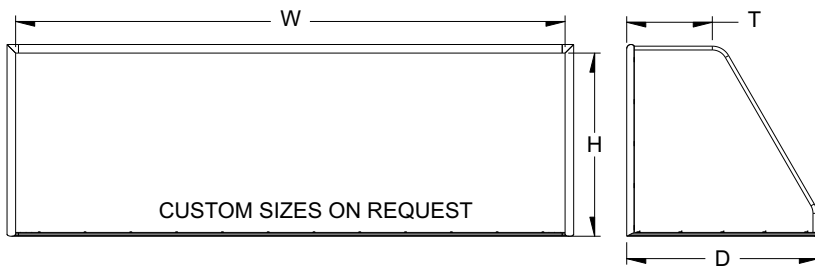
- SM-HD-NET-DM60-PKG – Heavy Duty net, braided, 4mm, 5" square mesh, orange.
- SM-REG-NET-DM10-PKG– Regular Duty Net, twisted 3mm, 5" square mesh, orange.
- SM-HD-NET-DM10-PKG – Heavy Duty Net, 4mm, braided, orange.



SCOREMASTER

The Ultimate Aluminum Sports Goals

SM-DM-1200 to SM-DM-2400 Movable Regulation Goals



MODEL	NET OPTIONS	W	H	D	T	Weight
SM-DM1200	SM-REG-NETDM12-PKG or SM-HD-NET-DM12-PKG	12'	6' 6"	6'10"	3'	140 LBS.
SM-DM1600	SM-REG-NETDM16-PKG or SM-HD-NET-DM16-PKG	16' 5"	6' 7"	6'10"	3'	150 LBS.
SM-DM1800	SM-REG-NETDM18-PKG or SM-HD-NET-DM18-PKG	18' 6"	6' 6"	6'10"	3'	155 LBS.
SM-DM2100	SM-REG-NETDM21-PKG or SM-HD-NET-DM21-PKG	21'	7'	7'4"	3'	162 LBS.
SM-DM2400	SM-REG-NETDM24-PKG or SM-HD-NET-DM12-PKG	24'	8'	8'4"	4'	180LBS.

The number one choice for schools, parks, architects, planners, professional purchasers, grounds keepers and teams.

Specifications

- One piece, smooth profile, TIG welded Goal Ends – THE ONLY TIG WELDED GOALS IN THE WORLD.
- 2 Goals per set. Each goal is broken down into 4 easy to assemble major components.
- Weld joints are reinforced with a doubler plates for extra strength.
- Uprights and Upper Cross Bars are made from 4 ½" X 4" D profile x .100 to .156" variable wall, oval, high strength, aluminum tube.
- Deep Net Racks are made from 2" X 3" X .156" wall, high strength, oval aluminum tube for strength and stability.
- Rear Cross Bars are made from 4 ½" X 2" D profile x .100 to .156" wall high strength oval aluminum tube for strength and stability.
- Auger style Ground Anchors.
- Tether Cables for anchoring and storage.
- Tamper resistant Stainless Steel Hardware.
- Meets ASTM Designation F2056 and F2673.
- Goals exceed all international safety and games standards.
- Bright Aluminum Finish is standard.
- 5 Year Warranty.

Options

- SM-DM1200PC – SM-DM2400-PC – White Powder Coat Finish – our own in house high quality.
- SM-GT1000 - Permanent Goal Tether – embeds in field for quick anchoring.
- SM-SB1000 - Sand Bags – goal counter weight
- SM-GC - Goal Cart System – 4 carts per set with 2 wheel carts slip under goal for easy moving.
- SM-DM-WHEEL - Retractable fixed wheel system. 4 per set, 2 or 4 wheels per goal

Nets

- SM-REG-NET-DM12-PKG to part number SM-REG-NET-DM24-PKG Net – Regular Duty, 3mm, twisted, 5" square mesh, orange
- SM-HD-NET-DM12-PKG to part number SM-HD-NET-DM24-PKG Net – Heavy Duty, 3mm, twisted, 2" square mesh, white.
- SM-HD-NET-DM21-PKG - Heavy Duty, 4mm, braided, 5" square mesh, white.



SCOREMASTER

The Ultimate Aluminum Sports Goals

SM-P1800 to SM-P2400

Permanent Regulation Goals

Permanent Goals come complete with galvanized steel ground sleeves that allow the goal to be installed permanently or removed for changes in the seasons or field use. The number one choice for schools, parks, architects, planners, professional purchasers, grounds keepers and teams.

Specifications

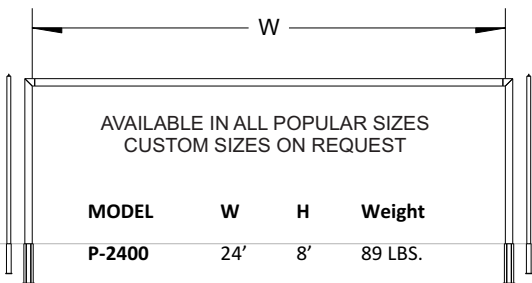
- One piece, smooth profile, TIG welded construction – THE ONLY TIG WELDED GOALS IN THE WORLD.
- 2 goals per set. Each goal ships broken down into 3 easy to assemble major components.
- Uprights and Upper Cross Bars are made from 4 1/2" X 4" D profile x .100 to .156" variable wall, oval, high strength, aluminum tube.
- Optional Football and Rugby Uprights are 3 1/2" and 2 1/2" heavy wall aluminum tubing.
- Tamper resistant Stainless Steel Hardware.
- Goals exceed all international safety and games standards.
- Bright Aluminum Finish is standard.
- 5 Year Warranty.

Options

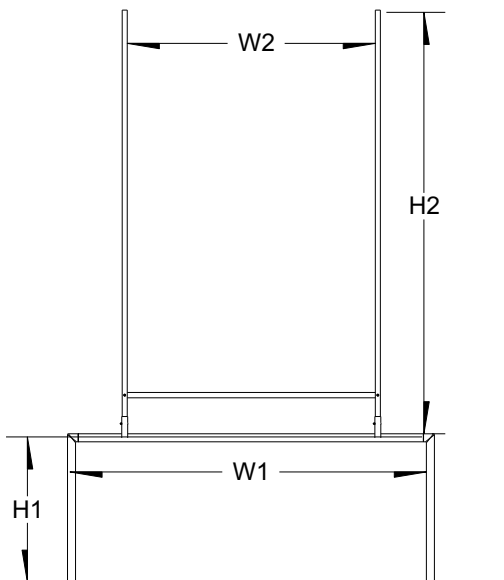
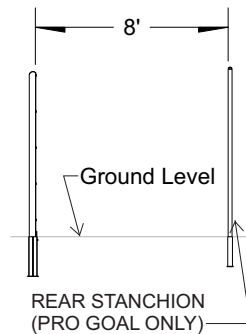
- SM-P1200-PC – SM-P2400-PC – White Powder Coat Finish – our own in house high quality.
- SM-NR000 European style net racks – "P" Style net rack.
- SM-PRO-STANCHIONS Professional box style net backstays.
- SM-P2400C-CDN and SM-P2400C-USA Combination soccer, football and rugby goal.

Nets

- SM-REG-NET-P24-PKG, Regular Duty net, 3mm, twisted, orange
- SM-HD-NET-P16-PKG TO SM-HD-NET-P24-PKG, Heavy Duty net, 4mm, braided, orange
- SM-HD-NET-P2400PRO-PKG, Heavy Duty net for pro style goal, 4mm, braided, white
- SM-NR1000 option uses SM-REG-NET-DUAL-NET-STEMS (P-2400 Pro ONLY) HD-NET-DM24-PKG

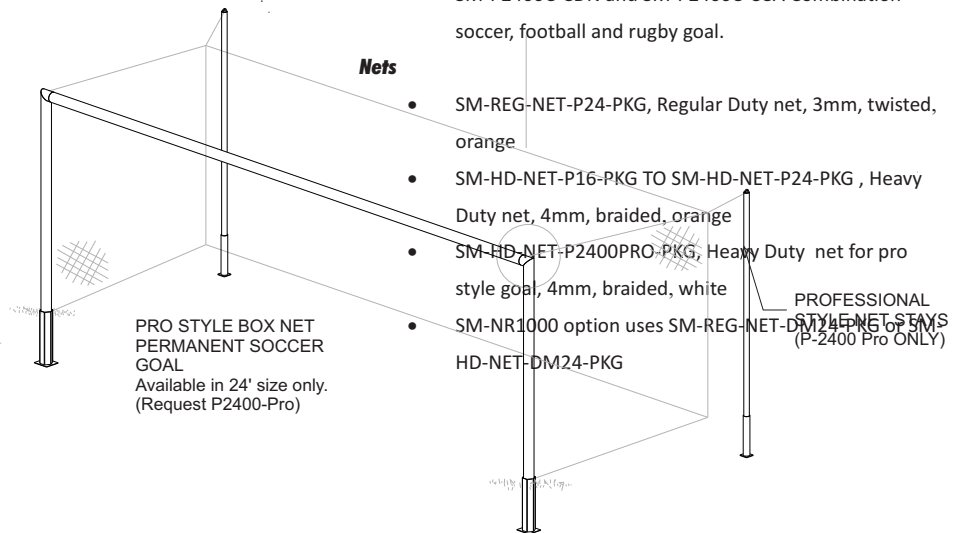


MODEL	W	H	Weight
P-2400	24'	8'	89 LBS.
P-2100	21'	7'	68 LBS.
P-1800	18'6"	6'6"	77 LBS.
P-2400 PRO	24'	8'	119 LBS.



MODEL	W1	W2	H1	H2	Weight
P-2400C-CDN	24'	18' 6"	8'	10'	150 LBS.
P-2400C-USA	24'	23' 4"	8'	10'	150 LBS.

Canadian model (CDN) includes uprights for Rugby/Canadian Football.
USA model includes uprights for American Football



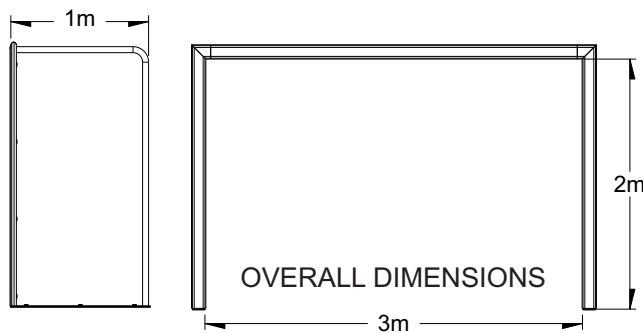
SCOREMASTER

The Ultimate Aluminum Sports Goals

SM-F1100 Futsal Goals

Indoor Soccer Goals

Take the game indoors with the same high quality as our TIG welded aluminum outdoor goals. Rubber pads on goal base won't harm gym floors. Like all of our products Scoremaster Futsal goals are professional quality built to last.



WEIGHT 65 LBS

Specifications

- One piece, smooth profile, TIG welded Goal Ends – THE ONLY TIG WELDED GOALS IN THE WORLD.
- 2 goals per set. Each goal ships broken down into 3 easy to assemble major components. Easy to store.
- Welded joints are reinforced with a doubler plates for extra strength.
- Uprights and Upper Cross Bars are made from 4 ½" X 2" D profile x .100 to .156" variable wall, oval, high strength, aluminum tube.
- Deep Net Racks are made from 1.9" OD X .145" wall, high strength, aluminum pipe for strength and stability.
- Heavy rubber base pads
- Tamper resistant Stainless Steel Hardware.
- Goals exceed all international safety and games standards.
- Bright Aluminum Finish is standard.
- 5 Year Warranty.

Options

- SM-F1100-PC – White Powder Coat Finish – our own in house high quality

Nets

- SM-HD-NET-F11-PKG, Heavy Duty net, 3.5mm, braided, orange

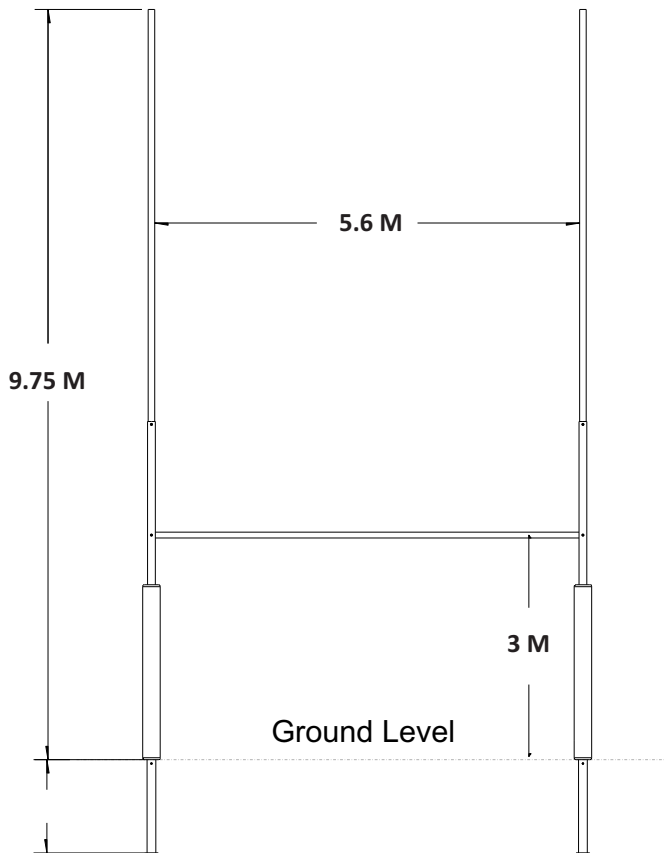


SCOREMASTER

The Ultimate Aluminum Sports Goals

SM-R1000 Rugby Goals

Permanent Rugby Goals



DIMENSIONS SHOWN ARE STANDARD
CUSTOM SIZES and PAINT SCHEMES
ARE AVAILABLE ON REQUEST.

Our Rugby Goals are as rugged as the game. Aluminum ground sleeve allow season removal of goals. Custom heights and colors are available. The number one choice for schools, parks, architects, planners, professional purchasers, grounds keepers and teams.

Specifications

- Strong through bolted construction.
- 2 goals per set. Each goal ships broken down into 5 easy to assemble major components. Easy to assemble and store.
- . Aluminum ground sleeves
- Aluminum ground safety caps to cap ground sleeves when goals are not installed.
- Lower Uprights are made from 3 ½" OD X .216" wall high strength, aluminum pipe.
- Cross Bars and Upper Upright Extensions are made from 2.875" OD X .203" wall, high strength, aluminum pipe.
- Stainless steel hardware.
- Goals exceed all international safety and games standards.
- Bright Aluminum Finish is standard.
- 5 Year Warranty.

Options

- SM-R1000-PC – White Powder Coat Finish – our own in house high quality.
- Custom heights are available.
- SM-R1000-PAD Safety Pads.
- Custom logos and identification.
- SM-PENNANT - Wind direction pennants.

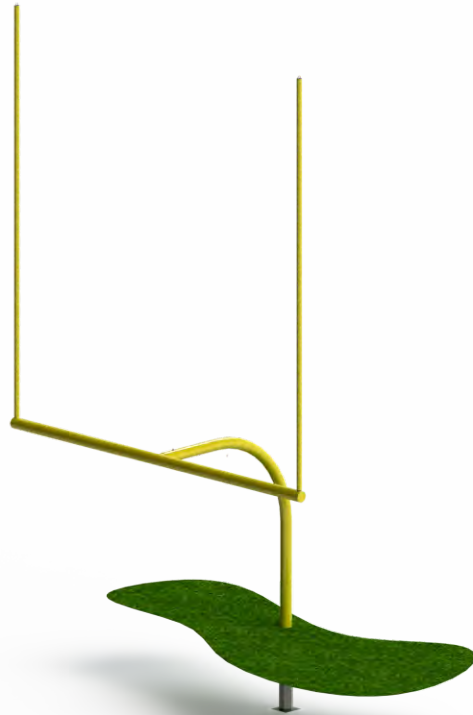


SCOREMASTER

The Ultimate Aluminum Sports Goals

SM-FB1000CDN-PC 72 to SM-FB-1000USA-PC-102 Football Goals

Scoremaster Football Goals are professional quality goals for professional play. Featuring welded aluminum heavy wall pipe construction. 1/3 the weight of steel posts; aluminum goals are easier & safer to install or disassemble without the need for heavy lifting equipment. Durable powder coat finish mean that these goals are meant to last.

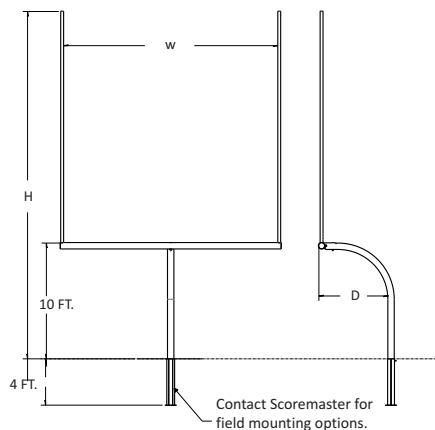


Features

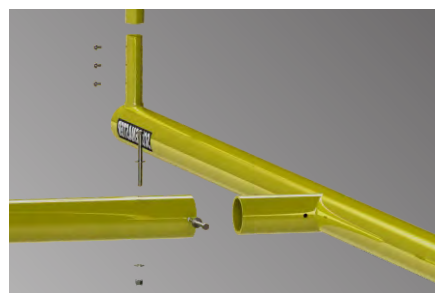
- One piece, smooth profile, MIG welded goal construction
- Ships broken down into 4 major components..
- Welded joints are reinforced for extra strength.
- Goose Necks and Cross Bars are made from 6.63" OD X .280 wall high strength, aluminum pipe.
- Uprights are made from 3" OD X .125" wall, high strength, aluminum tube with wind tether eye ring welded to tops.
- Galvanized Steel ground sleeves with aluminum safety caps
- Stainless Steel Hardware.
- Goals exceed all international safety and games standards.
- Bright Aluminum Finish is standard.
- 5 Year Warranty.

Options

- Yellow or White Powder Coat Finish – our own in house high quality.
- SM-FB1000-RB, Recess box SM-FB-PAD Football Pad available in a variety of colors.



MODEL	W	D	H	Weight
SM-FB1000CDN-PC-72	18' 6"	6'	30'	279 LBS
SM-FB1000CDN-PC-102	18' 6"	8' 6"	30'	300 LBS
SM-FB1000USA-PC-72	23' 4"	6'	30'	212 LBS
SM-FB-1000USA-PC-102	23' 4"	8' 6"	30'	328.36



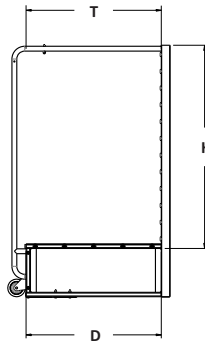
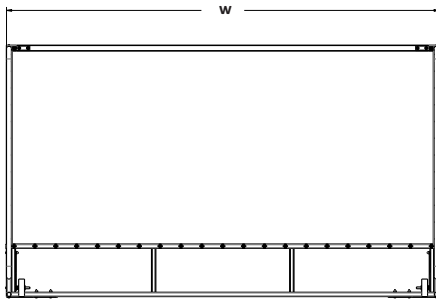
SCOREMASTER

The Ultimate Aluminum Sports Goals

SM-FH1200 Field Hockey Goals

Outdoor Field Hockey Goals

Scoremaster Field Hockey goals are made with exceptional quality. The only fully TIG and MIG welded Field Hockey Goals in the world. Our heavy rubber backboards take shot after punishing shot and will last for years of professional play.



MODEL	NET OPTIONS	W	D	H	T	Weight
SM-SM-FH1200	SM-HD-NET-FH12	3m	1m	2m	1m	180 LBS

ations

One piece, smooth profile, TIG welded Goal Ends – THE ONLY TIG and MIG WELDED GOALS IN THE WORLD. Each goal end ships broken down into 3 major components. Easy to assemble and store. Weld joints are reinforced with a doubler plates for extra strength. Uprights and Upper Cross Bars are made from 2 X 3" X .125" wall, high strength, aluminum square tube. Deep Net Racks are made from 1.9" OD X .145" wall, high strength, aluminum pipe for strength and stability. Heavy duty rubber backboards. Stainless Steel Hardware. Goals exceed all international safety and games standards.

- Bright Aluminum Finish is standard.
- 5 Year Warranty.

Options

- SM-FH1200-PC White Powder Coat Finish – our own in house high quality
- SM-FH1200-WHEELS Wheel system attaches to goal to allow it to be moved more easily.

Nets

- SM-HD-NET-FH12 Field Hockey net, 3mm, braided, black



SCOREMASTER

The Ultimate Aluminum Sports Goals

SM-L1000 Lacrosse Goals

Regulation Lacrosse Goals

Canada is the home of Lacrosse and it is only fitting that the best Lacrosse Goals are made in Canada. TIG welded construction and unmatched quality make Scoremaster Lacrosse Goals the choice of professional teams worldwide.



Specifications

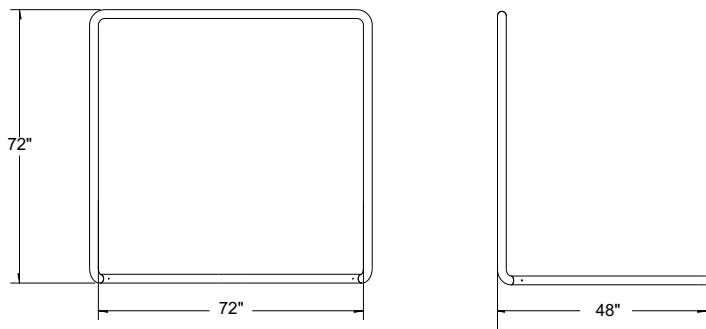
- Ships broken down into 2 easy to assemble major components. Easy to assemble and store.
- Uprights and Upper Cross Bars are made from 1.66' OD X .140 wall, high strength, aluminum tube.
- Stainless Steel Hardware.
- Goals exceed all international safety and games standards.
- Bright Aluminum Finish is standard.
- 5 Year Warranty.

Options

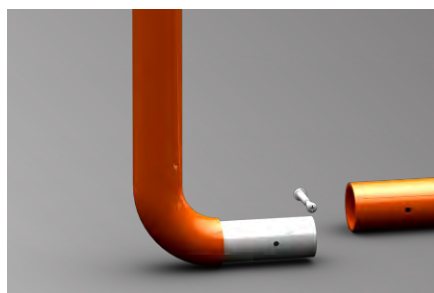
- Orange Powder Coat Finish – our own in house high quality

Nets

- SM-HD-NET-L10 Heavy Duty net, 3mm, braided, black



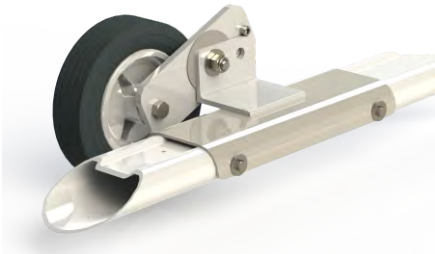
MODEL	W	D	H	T	Weight
SM-L1000	72"	4"	72"	4'	48 LBS



SCOREMASTER

The Ultimate Aluminum Sports Goals

Options and Accessories



SM-DM-WHEEL Wheel System

This is a bolt on retractable wheels system. Four wheels and retractors are included in the package.



SM-GC Goal Cart

This is a bolt on slip on wheel system. Four wheels slide under the goal and can be removed after the goal is moved. One set of four will move multiple goals as they are not permanently attached.



SM-SB1000 – Sand Bag

Sand bags stop goals from sliding and or tipping.



SM-GT1000 Goal Tether

This is a permanent goal tether that can be buried in the field for quick anchoring of goals. The Goal Tether allows you to remove the goal when not in use or lock it down when in use.



SM-R1000-PAD or SM-FB-PAD – Football or Rugby Pads

Rugby/Football goal pads prevent injuries to players and slip over the goal base in minutes.



SM-FH1200-WHEELS Field Hockey Wheel System

Field Hockey wheels are permanently attached and allow Field Hockey Goals to be moved easily.



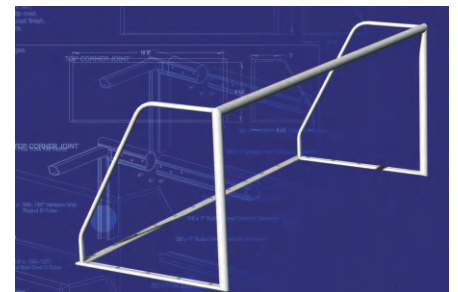
SM-PENNANT Wind Direction Pennant

Wind Direction Pennants can be custom made with Team logos



SM-FB-1000 Mounting Box

Made to mount Football goals on artificial turf. It is just one example of the many custom mounting solutions that Scoremaster can provide.



Custom Engineering

Get things done your way or count on our years of experience to design and build a goal system that is perfect for your application.

FEATURES AND BENEFITS

Aluminum Construction

Only aluminum materials are used by Scoremaster. Aluminum is 1/3 the weight of steel. It will not corrode and has lower maintenance with a longer life expectancy.

Custom Engineered Material

Shapes and Alloys

Special shapes and alloys are designed with thicker material in high stress areas and thin material where strength is not needed.

Design strength where required, reduced weight, stability and rigidity. Custom shapes have smooth round shapes, which will not cause injuries.

Low Weight

Movable Goals are lightweight and are easily handled which reduces risk of injury and field damage while being moved or assembled.

Easy to Move

Profile on bottom of goal net racks and rear cross bars.

Smooth profile allows goals to be moved easily for storage or for field maintenance. Wheels are available as optional on Soccer Goals.

Strong Construction

All Scoremaster corner joints are mitered at 45 degrees. The only connection, which is not mitered, is the upper net rack connection. It is reinforced with a reinforcing plate that doubles the material thickness under the weld.

Mitered joints are stronger, have a better appearance and are smoother for safety.

Heavy-Duty Rear Crossbar

Scoremaster's rear cross bar is designed with the same type of material and slip joints as the front cross bar. The rear cross bar adds immense strength to the goal.

The extra weight of the rear cross bar counterbalances the front cross bar so goals are stable.

Oval Tube Net Racks (on DM1200-DM2400)

Special 2"x3" oval tube shape.

Large oval shape has smooth round edges.

Horizontal stability at the weld joint of the net rack is many times stronger than a joint designed with standard tube or pipe.

Smooth Net Fasteners

Stainless steel and plastic net fasteners are recessed into the rear of the goal. Net fasteners are smooth and cannot harm players. They are permanently attached so they cannot get lost.

Flush Fitting Assembly

All fasteners are recessed and hidden. Non protruding bolts or fasteners prevent injuries from collisions.

TIG Welding

Scoremaster is the only goal manufacturer in the world that uses Aerospace quality digital TIG welding. This provides quality control, stronger welds and better appearance.

All other goal manufacturers use MIG welding. It is a less costly process but limits the use of materials and does not produce a strong connection. MIG Welding is prone to cracking.

One Piece Goal Ends

Goal ends are welded solid. Welding is stronger, vandal resistant, has better appearance and is easier to assemble.

Weak bolt-together goal ends with socket joints can work loose and are not as rigid as welding. Vandals can remove bolts.

Durable Powder Coat Finish

Baked-on powder coat finish is optional on all goals and is done in house at Scoremaster. **We are the only manufacturer who powder coats their product in house for exceptional quality.**

The best protective coating available - for visibility, low maintenance, beautiful appearance and weathering protection.

Customer Support

5 year warranty, product documentation, extensive dealer support and internet support. Our sales are backed by the most experienced team of dealers in North America. Help is always there when the customer needs it.

Experience

Scoremaster has 25 years of goal building experience and a dedicated engineering department. We were the first manufacturer to address potential problems and safety issues. Extensive product testing and proven designs are a Scoremaster trademark.

Scoremaster is owned by Professional Components Ltd. which manufactures specialized equipment for military special forces. The same care goes into every Scoremaster product like it was mission critical.

Quality Control

Scoremaster is constructed to rigid in house quality control procedures in the spirit of ISO9000.

To maintain high quality and product consistency.

“Scoremaster is the highest quality goal available on the market.”



SCOREMASTER
The Ultimate Aluminum Sports Goals